

10078995-G0X-XXYLF

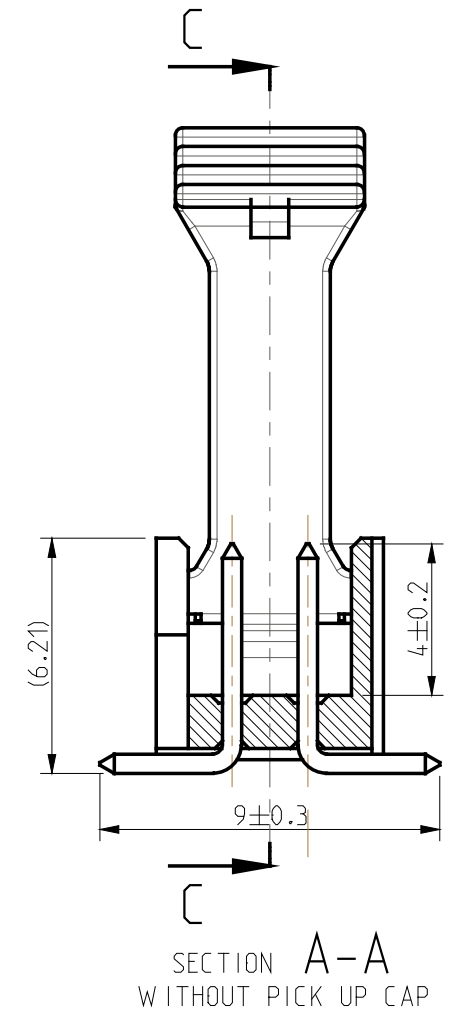
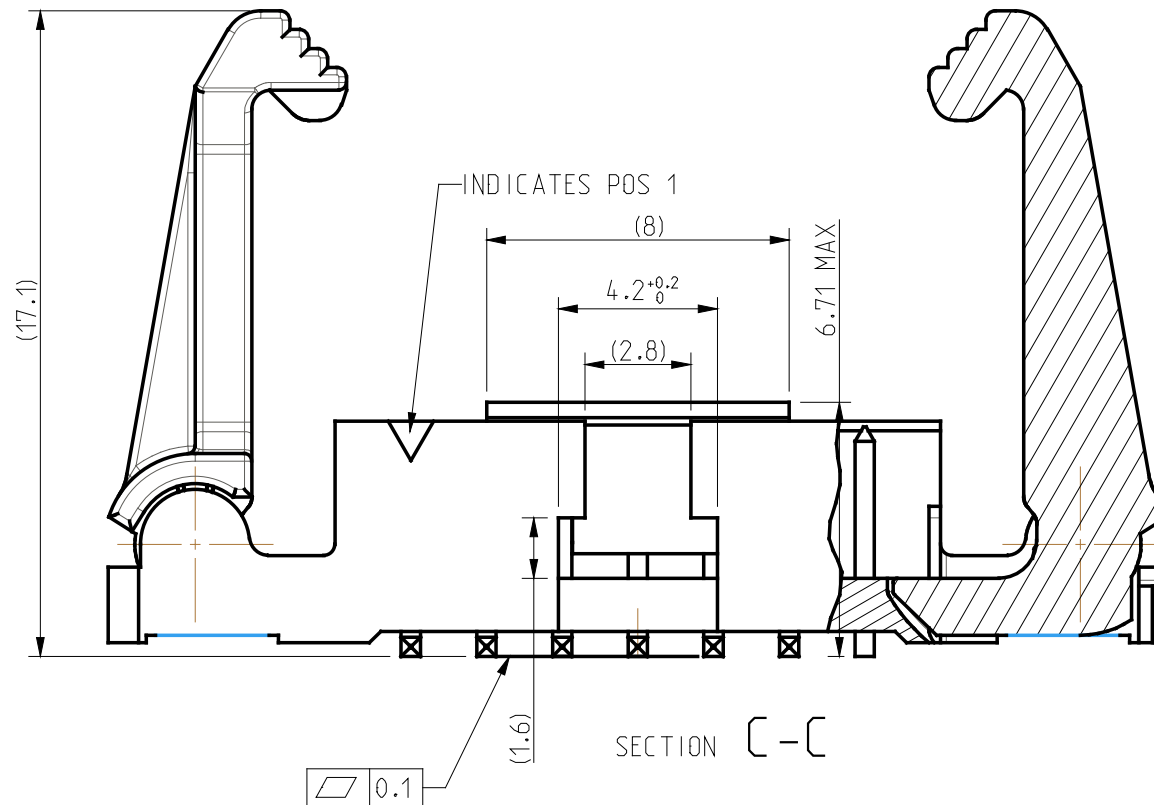
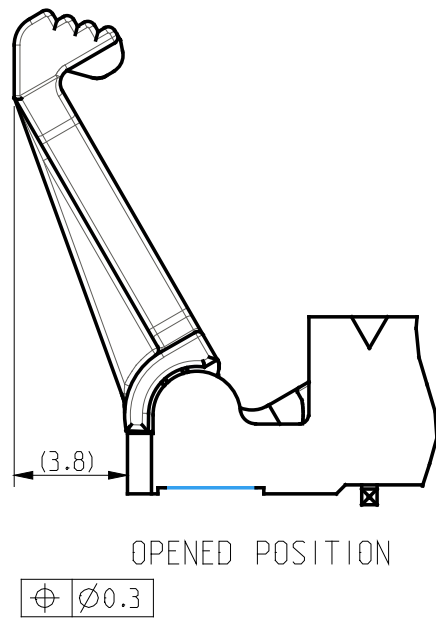
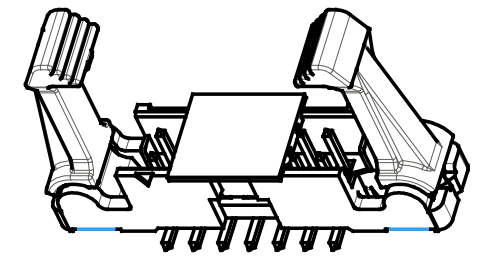
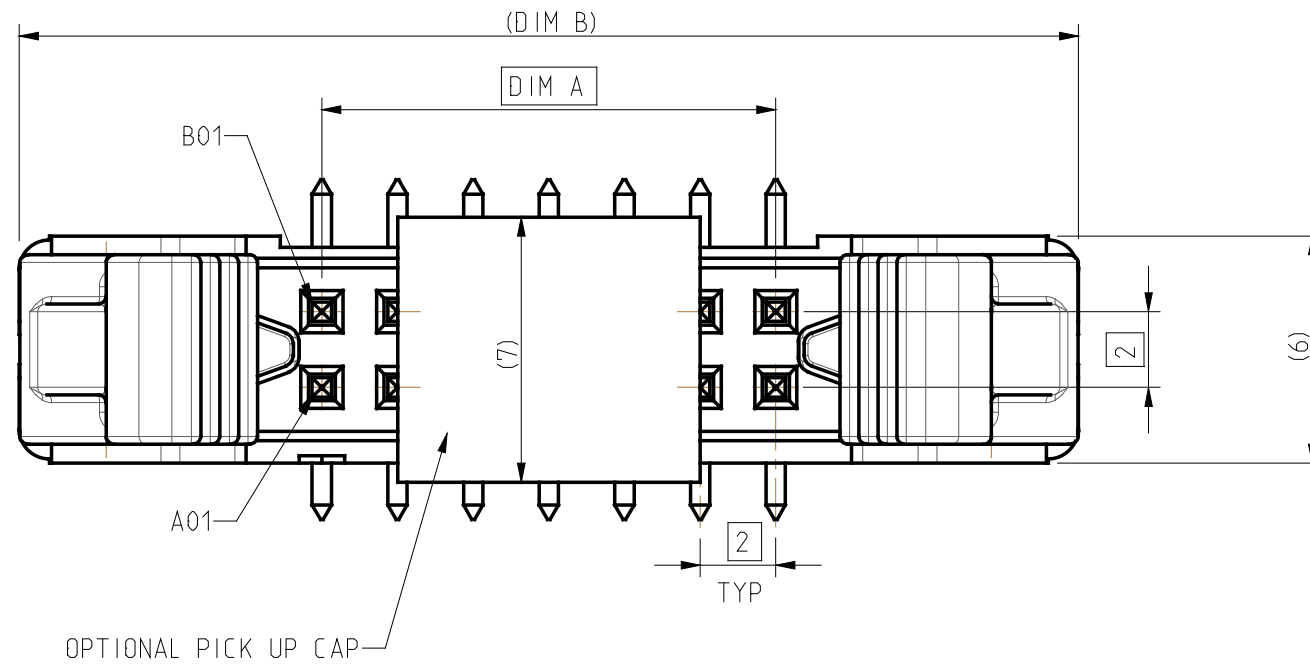
PLATING
 0.76 μm GXT
 (Pd Ni WITH GOLD FLASH ON CONTACT AREA)
 1.27 μm Ni MIN UNDERPLATE

LATCH TYPE :
 1 = STANDARD : For use with STRAIN-RELIEF 10073978
 2 = LOW PROFILE : For use without STRAIN-RELIEF

SIZE : TOTAL NB OF POSITIONS
 SEE SHEET 2

PACKAGING, SEE NOTE 4

SUFFIX LETTER "LF" INDICATES
 THE PRODUCT IS RoHS
 COMPATIBLE, SEE NOTE 5.



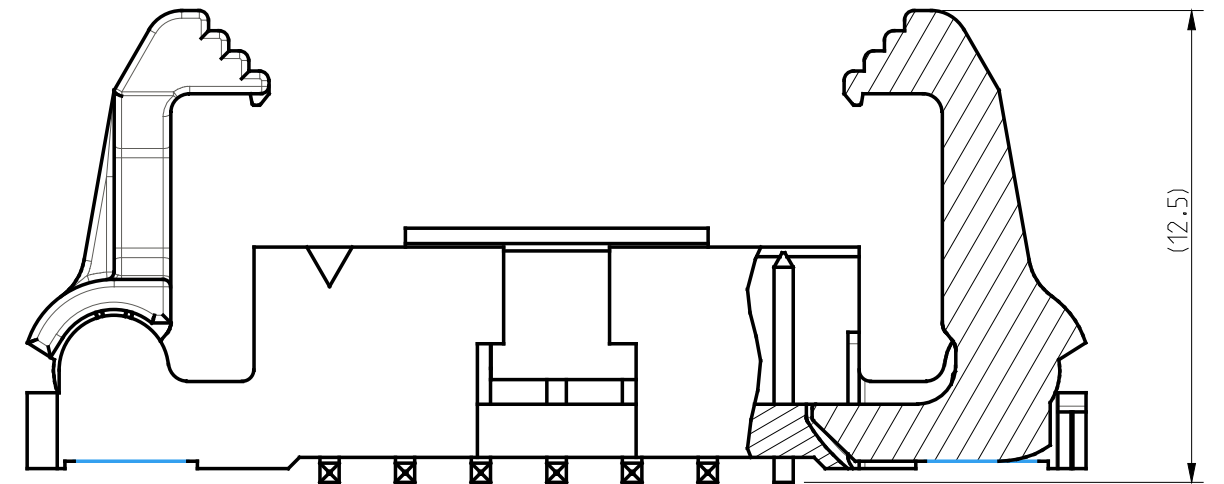
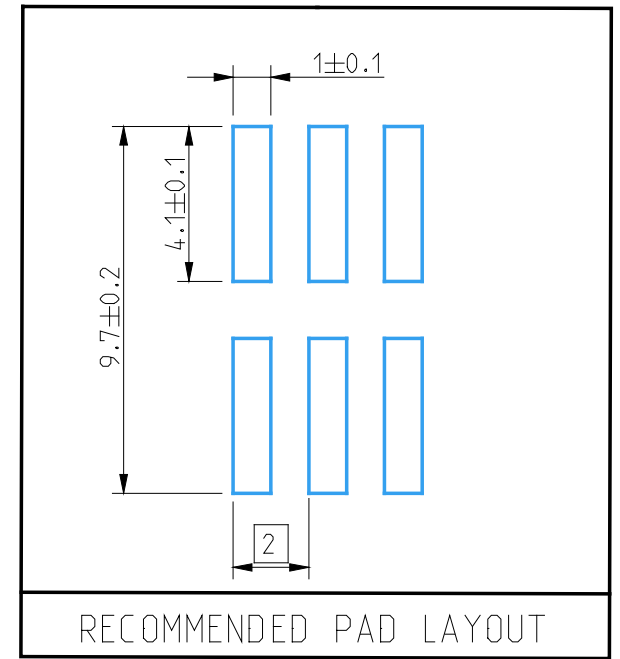
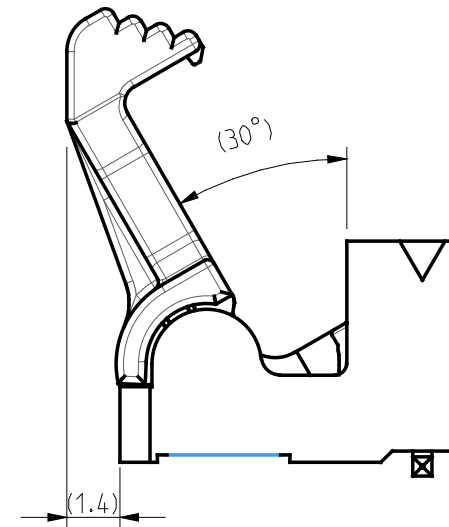
- NOTES :
- MATERIAL HOUSING : HIGH TEMPERATURE THERMOPLASTIC UL 94 V0, COLOR CREAM.
 - MATERIAL LATCH: HIGH TEMPERATURE THERMOPLASTIC UL 94 V0, COLOR BLACK.
 - MATERIAL TERMINAL : COPPER ALLOY
 - PIN RETENTION IN EITHER DIRECTION : 7N MIN
 - PACKAGING
 U= TUBE WITHOUT PICK UP CAP .
 A= TAPE & REEL WITH PICK UP CAP.
 - ROHS COMPATIBLE PRODUCT SPECIFICATIONS :
 a- PLATING :
 LF MEANS THE PRODUCT IS LEAD FREE
 2 μm MATTE TIN MIN ON TAIL OVER 1.27 μm NICKEL UNDERPLATE.
 b- MANUFACTURING PROCESS COMPATIBILITY
 THE HOUSING WILL WITHSTAND EXPOSURE TO 260 °C PEAK TEMPERATURE FOR 30 SECONDS MAX IN A CONVECTION, INFRA RED, VAPOR PHASE OR REFLOW OVEN.
 c- LABELLING
 MEETS PACKAGING SPECS AS PER GS-14-920.
 d- THIS PRODUCT MEETS EUROPEAN DIRECTIVES AND OTHER CONTRY REGULATION AS DESCRIBED IN GS-22-008

rev	ecn no	dr	date
A	F08-0110	LSA	08-01-16
-	-	-	-
-	-	-	-
-	-	-	-
-	-	-	-
-	-	-	-

www.fciconnect.com			surface ISO 1302	tolerance std ISO 406 ISO 1101	projection mm
			TOLERANCES UNLESS OTHERWISE SPECIFIED		
Dr	NEBU PM	07-06-19	ANGULAR	0.X	±/
Eng	JM COMPAGNON	07-06-19	LINER	0.XX	±/
Chr	JM COMPAGNON	07-06-19	0° ±°	0.XXX	±/
Appr	L. SAILLARD	07-06-19	Product family	-	
title EJECT LATCH HEADER			dwg no 10078995		Rev. A
catalog no			CUSTOMER		sheet 1 of 2

Copyright FCI

SIZE	POSITIONS	DIM A	DIM B
06	2x 3	4,00	20,00
08	2x 4	6,00	22,00
10	2x 5	8,00	24,00
12	2x 6	10,00	26,00
14	2x 7	12,00	28,00
24	2x12	22,00	38,00
30	2x15	28,00	44,00
40	2x 20	38,00	54,00
44	2x 22	42,00	58,00
50	2x 25	48,00	64,00

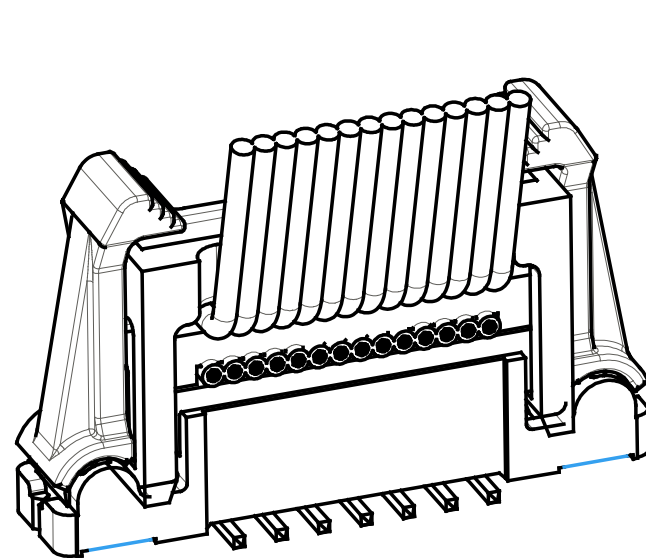


SECTION C-C

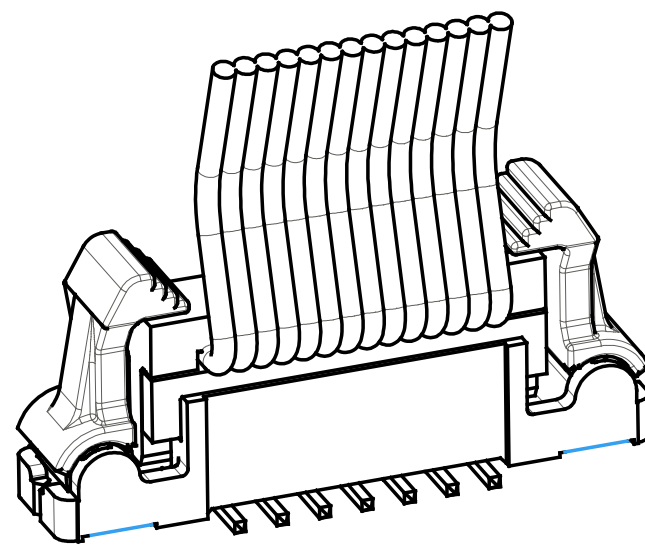
EXAMPLE 10078995-G02-14 YLF
LOW PROFILE LATCH

PRODUCT USED IN COMBINATION WITH IDC
RECEPTACLE P/Ns 89361 & 89941

WITH STRAIN-RELIEF ACCESSORY
- STANDARD LATCH -



WITHOUT STRAIN-RELIEF ACCESSORY
- LOW PROFILE LATCH -



www.fciconnect.com		surface ISO 1302	- ✓	tolerance std ISO 406 ISO 1101	projection mm	←→
TOLERANCES UNLESS OTHERWISE SPECIFIED				ANGULAR	size A3	Scale 3:1
Dr	NEBU PM	07-06-19	0.X	±/	ECN	F08-0110
Eng	JM COMPAGNON	07-06-19	0.XX	±/	Spec ref	-
Chr	JM COMPAGNON	07-06-19	0.XXX	±/		
Appr	L. SAILLARD	07-06-19	Product family			
title EJECT LATCH HEADER		dwg no 10078995		Rev. A		
catalog no		CUSTOMER		sheet 2 of 2		